



MCPA-KAC

Addressable Manual Call Point

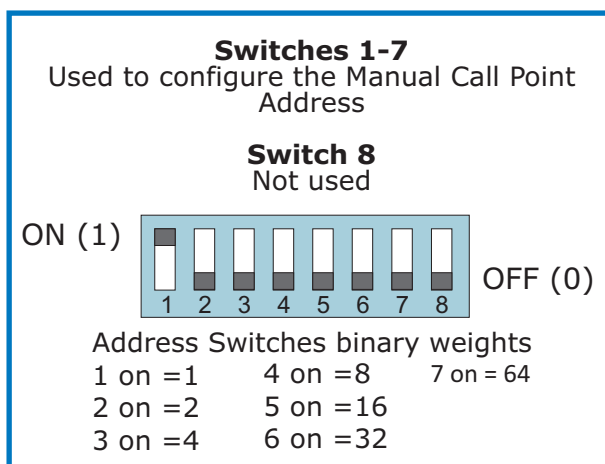
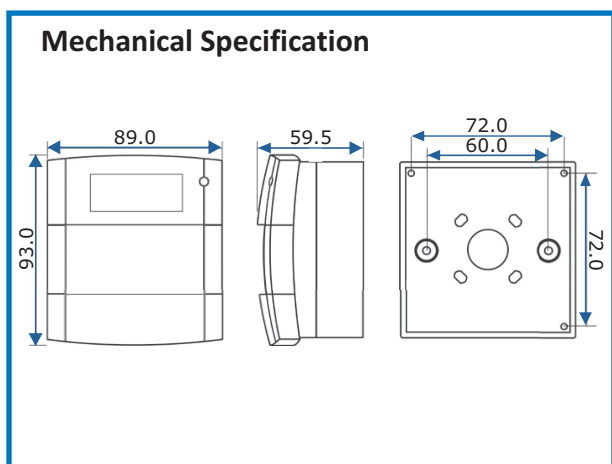


The MCPA-KAC is an Analogue Addressable Manual Call Point, designed and manufactured to comply with EN-54 part 11, compatible with all GFE Addressable Control panels.

With its enhanced communications mechanism the typical response time, when in alarm, is approximately one second, depending on the number of call points connected to the device loop.

A bi-colour LED flashes Green when the unit is interrogated by the control panel and is illuminated Red when in Alarm. The command to illuminate the Red LED is emitted by the control panel in response to activation of the individual call point thus confirming that the Alarm signal has been received at the control panel. The individual address, up to 125, of each call point is set via an eight way DIL switch.

This unit can be both surface and flush mounted and it can be easily reset using the supplied key after activation. Optionally it can be supplied complete with a hinged flap which protects the trigger element from accidental activation and reduces malicious activations as two actions are required in order to activate the device.



Technical Specifications	
Supply Voltage	Loop Powered 17-30 V DC
Current - Quiescent	500 uA
Current - Device in Alarm	3.5 mA - Alarm LED Illuminated
Max. Cable Size	0.5-2.5 mm ²
Max. Recommended per Loop	30
Colour/ Case Material/ Protection	Red / ABS Flame Retardant 94V0/ IP24
Oper. Temperature/ Max. Humidity	0 °C to 50 °C/ 95% RH Non-Condensing
Dimensions/ Weight	93.0 (H) x 89.0 (W) x 59.5 (D) mm/ 160 grams
Order Code	
MCPA-KAC	KAC Addressable Manual Call Point

Global Fire Equipment Lda.

MARF - Armazens F3 e F4, Sítio do Guelhim, Estoi, 8009-021 FARO, PORTUGAL

Tel: + 351 289 896 560 Fax: + 351 289 865 587



Sales sales@globalfire.pt **Technical Support** techs@globalfire.pt